



NORTH BIHAR POWER DISTRIBUTION CO. LTD.

[Office of Chief Engineer, Project-II]
(Regd. Office: Vidyut Bhawan, Bailey Road, Patna)
CIN No: U40109BR2012SGC018920

Letter No: 258
[File No: NB/PII/Saharsa/V.A./RDSS/50/2023]
Dated: 07/07/2023

Contact No: +91-9264437179

E-mail: cerdssnbpdc12@gmail.com

From,

Pranav Kumar
Chief Engineer (Project-II)

To,

M/s Vindhya Telelinks Ltd.
Club 125, 6th Floor, Tower A, Plot No -3,4&5
Sector 125, Noida, UP-201301

Sub: - Approval of GTP & Drawings of Steel Tubular Pole of M/s M/s Utkarsh India Ltd, Kolkata against NIT No: 32/PR/NBPDCL/2022 for Saharsa Circle.

- Ref:**
1. This Office NOA No: 17 & 18 dated 06.03.2023.
 2. Your Letter No- 26 dated- 04.07.2023
 3. Vendor Approval vide CE (Project-II) letter no. 190 Dated 20.06.2023 .

With reference to the subject noted above, please find enclosed herewith the GTP & drawing of **Steel Tubular Pole** for Development of Distribution Infrastructure against NIT No: 32/PR/NBPDCL/2022 for Saharsa Circle under Revamped Reforms-Based And Results-Linked, Distribution Sector Scheme.

Sl. No.	Name of Item	Vendor Name
1	9 Meter Steel Tubular Pole & 11 Meter Steel Tubular Pole	M/s Utkarsh India Ltd, Arrijavy Square, 95A, Elliot Road, 4th Floor Kolkata - 700016

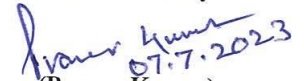
The Correction wherever required in GTP/ Drawing submitted by the manufacturer has been done. However, these Drawings shall be subject to correctness as per technical specifications of the tender document and the entire responsibility of the correctness of the drawing as per the specifications as well as supply of material according to the technical specifications of the contract agreement shall be responsibility of the contractor.

In case of any conflict or contradiction between GTP / Drawings & Technical Specifications, the decision of C.E. (Project-II) shall be final and binding on both the parties. Contractor shall have to replace the material to the entire satisfaction of the owner in case the material is found unsuitable for use in the project, at any stage

Please carry out the works immediately under conditions stated above.

Encl.:- As above.

Yours faithfully


(Pranav Kumar)

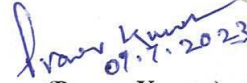
Chief Engineer (Project-II)

dated...07/07/2023...../

Memo no. 258...../

Copy forwarded M/s NCC Limited, Hyderabad/ M/s JSP Projects Ltd, UP / M/s Polycab Limited,

Mumbai / M/s Ashoka Buildcon Limited, Nashik/ M/s Cabcon Limited, Kolkata/ M/s Techno Power Enterprises Private Ltd, Kolkata/ M/s Vaishno Associates Vidyut Projects LLP, Jaipur for information.

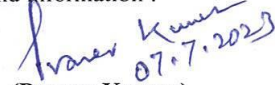

07.7.2023
(Pranav Kumar)

Chief Engineer (Project-II)

Memo No.....258...../

dated...07/07/2023...../

Copy forwarded to Director (Projects)/ OSD to MD, NBPDC, Patna for kind information .


07.7.2023
(Pranav Kumar)

Chief Engineer (Project-II)

GUARANTEED & OTHER TECHNICAL PARTICULARS FOR STEEL TUBULAR POLE:
(To be furnished By manufacturer)

SL.NO	Item	UNIT	Description		
1	Name of Manufacturer		M/S UTKARSH INDIA LIMITED		
2	Place of manufacture		N.H-2, Durgapur Expressway , Gurap , Hooghly , West Bengal		
3	IS Standards Application		IS 1161:2014(For Raw materials),IS 2713:1980(For Pole) All IS should be With Latest Amendment.		
4	Designation of Pole		540 SP28	540 SP52	540 SP13
5	Total length	Mtr	9.00 ✓	11.00 ✓	8.00
6	Planting Depth	Mtr.	1.5 ✓	1.8 ✓	1.5
7	Height Above Ground	Mtr.	7.5 ✓	9.2 ✓	6.5
8	Outside diameter and thickness of section				
A	Bottom	mm	139.7X4.50 ✓	165.1X4.50 ✓	139.7X4.50
B	Middle	mm	114.3X3.65 ✓	139.7X4.50 ✓	114.3X3.65
C	Top	mm	88.9X3.25 ✓	114.3 X3.65 ✓	88.9X3.25
9	weight of pole	kg	113 ✓	175 ✓	101
10	Effective length of Section				
A	Bottom	mm	5000 ✓	5600 ✓	4500
B	Middle	mm	2000 ✓	2700 ✓	1750
C	Top	mm	2000 ✓	2700 ✓	1750
11	Joint Length				
A	Bottom to Middle(J2)	mm	300 ✓	350 ✓	300
B	Middle to Top(J1)	mm	230 ✓	300 ✓	230
12	Point of application of load below top	mm	300	600	300
13	Load For Temporary Deflection(Not exceeding 157.5 mm)	Kgf	76 ✓	74 ✓	120
14	Load For permanent Set(Not exceeding 13 mm)	Kgf	232 ✓	276 ✓	270
15	Breaking Load	Kgf	478 ✓	567 ✓	555
16	Working Load(factor of safety 2.5)	Kgf	191 ✓	227 ✓	222
17	Crippling Load	Kgf	339 ✓	403 ✓	394
18	Tolerance		As per IS 2713:1980(with latest amendment) ✓		
A	Out Side Diameter		±1 % (As per IS)		
B	Thickness		-10 % (As per IS-2713) (Part-I & Part-II)		
C	Length		±25 mm (overall length), ±40 mm(Sectional Length)		
D	Weight		-10 % As per IS-2713 (Part-I & Part-II)		
19	Straightness		1/600 of Overall Length ✓		
20	Protection against corrosion		Poles are coated with black bituminous paint throughout internally and externally upto the planting depth. The remaining portion of the exterior shall be painted with one coat of red oxide primer.		
21	Earthing arrangements		M12 nut welded at 300 mm from planting depth		
22	M.S. Base Plate Welded		250mm X 250mm X 8 mm thick ✓		
23	Top Cap		3 mm Thick Cap welded to the pole ✓		

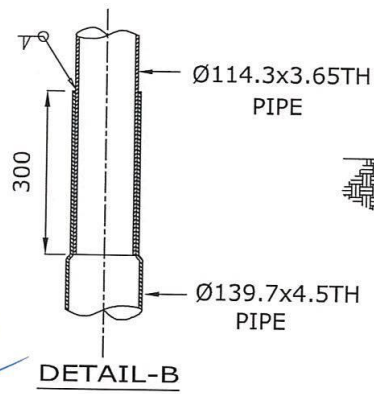
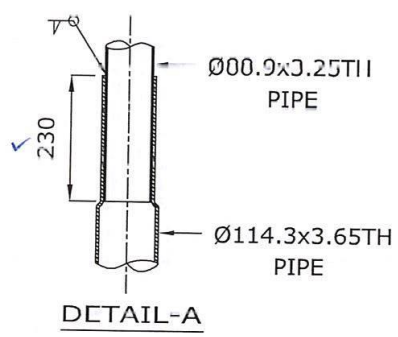
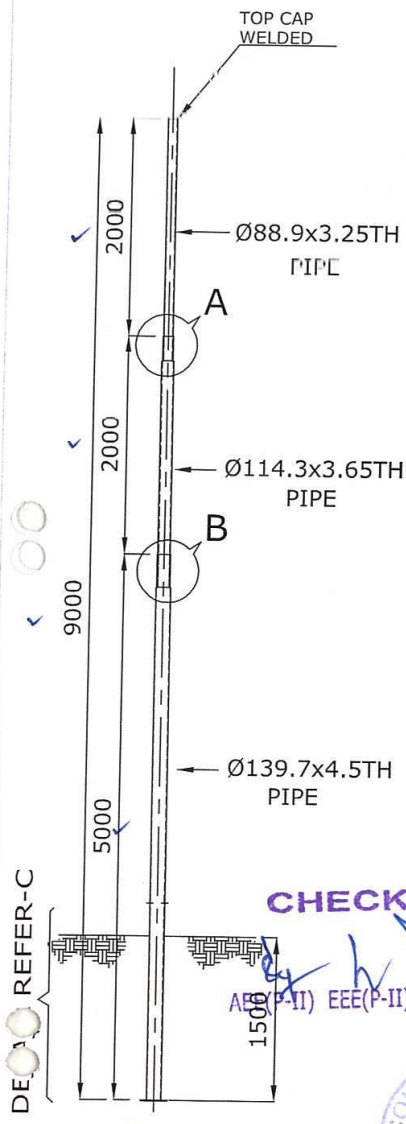
CHECKED
AEE(P-II) ESEP-II) ESEP-II)

APPROVED
Subject to the condition that you are not absolved of the responsibility of correctness of materials
Chief Engineer (Project-II)
NBPOCL



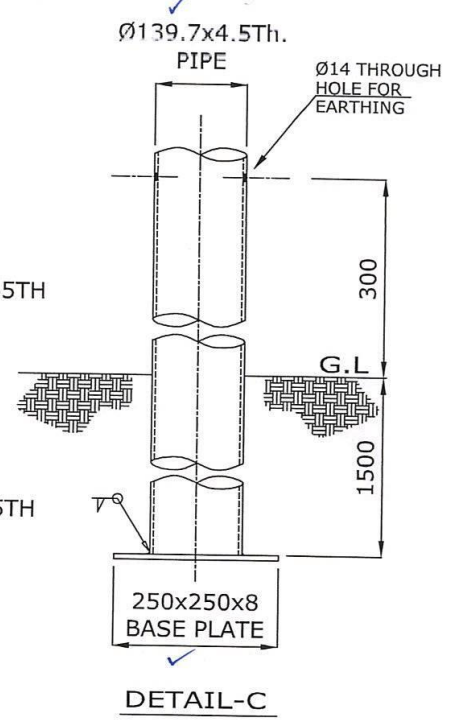
Signature of the Bidder
With Seal





APPROVED
 Subject to the condition that you are not absolved of the responsibility of Correctness of materials

[Signature]
 Chief Engineer (Project-II)
 NBPDCI



CHECKED

[Signature]
 AEE (P-II) EEE (P-II) ESE (P-II)

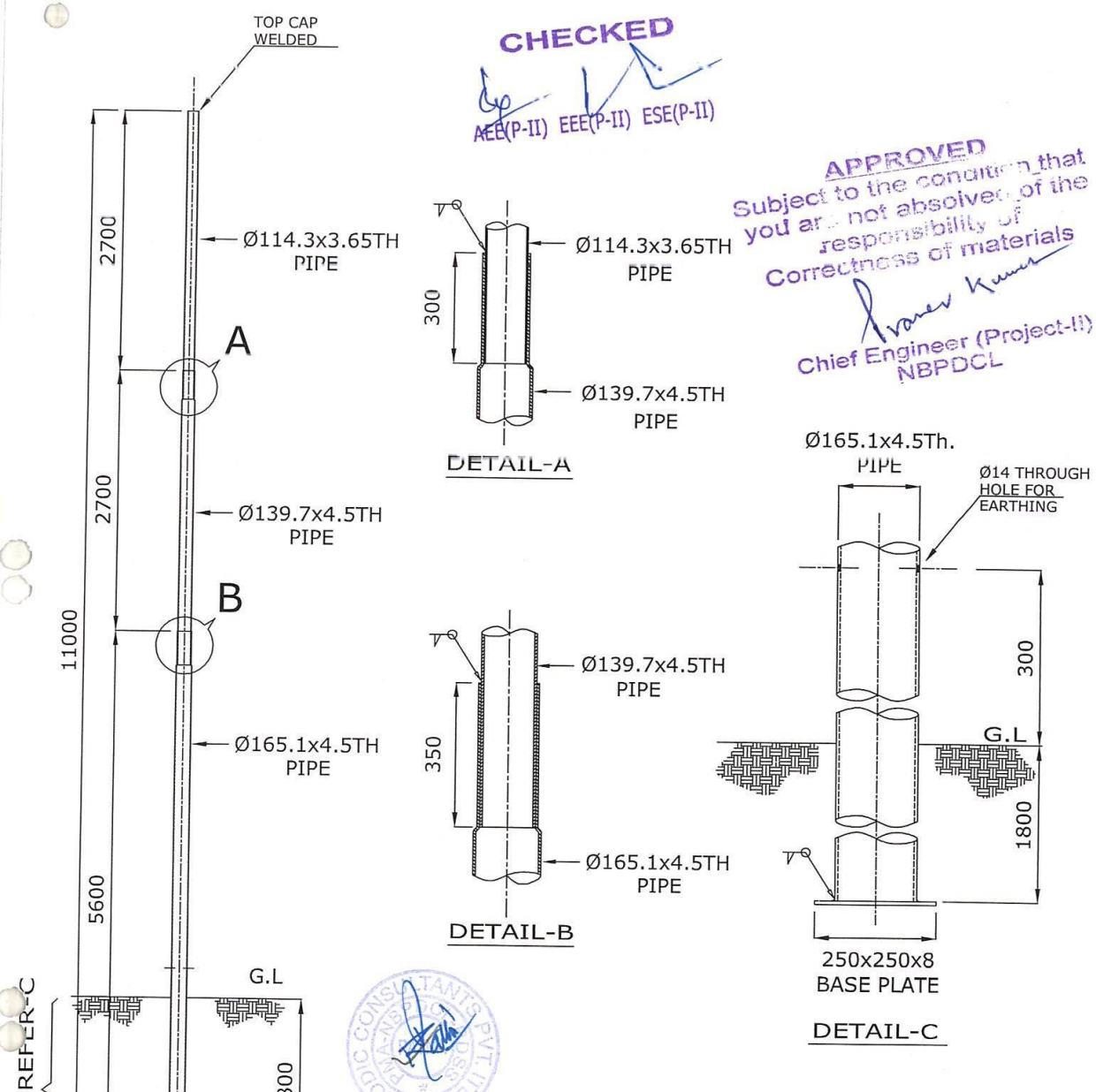


NOTE:-

1. ALL DIMENSIONS ARE IN MM.
2. TOLERANCE AS PER IS 2713 :1980 (LATEST)
3. POLES WILL BE PAINTED BY ONE COAT OF RED OXIDE PRIMER AT EXTERIOR & ONE COAT OF BLACK BITUMINOUS PAINT UP TO THE PLANTING DEPTH.
4. POLES WILL BE MARKED BY INC (STENCILING) AS "540 SP28 / 05/23 / RDSS"



SCHEME:			
PROJECT:	REVAMPED REFORMS-BASED AND RESULTS-LINKED DISTRIBUTION SECTOR SCHEME		
CLIENT:	NB NORTH BIHAR POWER DISTRIBUTION CO.LTD		
CONTRACTOR:	MP DIBLA GROUP VINDHYA TELELINKS LIMITED		
NOA NO.:	1. 246 DATED 6TH MARCH 2023 FOR SUPPLY AGAINST NIT NO.28/PR/NBPDCI/2022 2. 17 DATED 6TH MARCH 2023 FOR SUPPLY AGAINST NIT NO.32/PR/NBPDCI/2022		
MANUFACTURER:	UTKARSH UTKARSH INDIA LIMITED		
DESCRIPTION:	9.0 MTR. LONG SWAGED TYPE STEEL TUBULAR POLE AS PER 540 SP28		
DRG.No.	UIL/VTL/NBPDCI/540/SP28/05/23-24	Revision:	Date:
DRN. BY.	S. CHATTERJEE	Date:	
Chkd.By.		Date:	



CHECKED
 AEE(P-II) EEE(P-II) ESE(P-II)

APPROVED
 Subject to the condition that you are not absolved of the responsibility of Correctness of materials
 Anand Kumar
 Chief Engineer (Project-I)
 NBPDC

DETAIL REFER-C

- NOTE:-
1. ALL DIMENSIONS ARE IN MM.
 2. TOLERANCE AS PER IS 2713 :1980 (LATEST)
 3. POLES WILL BE PAINTED BY ONE COAT OF RED OXIDE PRIMER AT EXTERIOR & ONE COAT OF BLACK BITUMINOUS PAINT UP TO THE PLANTING DEPTH.
 4. POLES WILL BE MARKED BY INC (STENCILING) AS "540 SP52 / UIL / 2023 / RDSS"



SCHEME:			
PROJECT:	REVAMPED REFORMS-BASED AND RESULTS-LINKED DISTRIBUTION SECTOR SCHEME		
CLIENT:	NB NORTH BIHAR POWER DISTRIBUTION CO.LTD		
CONTRACTOR:	VINDHYA TELELINKS LIMITED		
NOA NO.:	1. 246 DATED 6TH MARCH 2023 FOR SUPPLY AGAINST NIT NO.28/PR/NBPDC/2022 2. 17 DATED 6TH MARCH 2023 FOR SUPPLY AGAINST NIT NO.32/PR/NBPDC/2022		
MANUFACTURER:	UTKARSH UTKARSH INDIA LIMITED		
DESCRIPTION:	11.0 MTR. LONG SWAGED TYPE STEEL TUBULAR POLE AS PER 540 SP52		
DRG.No.	UIL/VTL/NBPDC/540/SP52/05/23-24	Revision:	Date:
DRN. BY.	S. CHATTERJEE	Date:	
Chkd.By.		Date:	