



NORTH BIHAR POWER DISTRIBUTION CO. LTD.

[Office of Chief Engineer, Project-I/Urban]  
(Regd. Office: Vidyut Bhawan, Bailey Road, Patna)

CIN No: U40109BR2012SGC018920

Letter No: 700

[File No:-N-XIII/RDSS/VA/Muzaffarpur- 3034/2023-

Dated: 03/7/23

E-mail: cerdssnbpdc@gmail.com

From,

**Shriram Singh**  
Chief Engineer, Project-I (Urban)

To,

**M/s Ashoka Buildcon Ltd**  
S.No.-861, Ashoka House,  
Ashoka Marg, Vadala, Nashik-422011  
E-mail:-ajay.kankariya@ashokabuildcon.com

Sub:- **Regarding approval of GTP & Drawing of Fault Passage Indicator of make M/s Elektrolites (Power) Pvt. Ltd., Jaipur for Loss Reduction Component works under "Revamped Reforms-Based and Results-Linked Distribution Sector Scheme."**

Ref:- (i) NOA No.-250 & 251 dated 06.03.2023  
(ii) Your letter no.-150 dated 19.06.2023

Sir,

With reference to the above, please find the copy of approved GTP & Drawing of following item for Loss Reduction Component works under "Revamped Reforms-Based and Results-Linked Distribution Sector Scheme":-

S.N.	Material Description	Vendor Name
1	Fault Passage Indicator	M/s Elektrolites (Power) Pvt. Ltd., Plot No.-E-148 to E-150, Phase-II, RIICO Industrial Area, Bagru, Dist.-:Jaipur

Correction where required in GTP & Drawing submitted by you has been done. However, these drawings shall be subject to correctness as per technical specifications of the tender document and the entire responsibility of correctness of the drawing as per the specifications as well as supply of material according to the technical specifications of the contract agreement shall be that of the contractor.

In case of any conflict or contradiction between GTP/Drawing & Technical Specifications, the decision of Chief Engineer, Project-I (Urban) shall be final and binding on both parties. Contractor shall have to replace the material to the entire satisfaction of the purchaser in case the material is found unsuitable for use in the project, at any stage.

Please carry out the works immediately under the conditions stated above.

Encl:- As above

Yours faithfully

(Shriram Singh)

Chief Engineer, Project-I (Urban)

Memo No.- 700

Dated- 03/7/23

Copy forwarded **M/s Vindhya Telelinks Limited**, Club 125, 6th floor, Tower A, Plot No- 3, 4 & 5, Sector 125, Noida, UP-201301 / **M/s Polycab India Ltd.**, Polycab House, 771, Pandit Satwalekar Marg, Mumbai / **M/s NCC Ltd.**, NCC House, Survey no. 64, Madhapur, Hyderabad, 500081 for information and necessary action.

Encl:-As above

(Shriram Singh)

Chief Engineer, Project-I (Urban)

Memo No.- 700

Date-

03/7/23

Copy forwarded to Chief Engineer, Project-II, NBPDC for information and necessary action

Encl:-As above

(Shriram Singh)

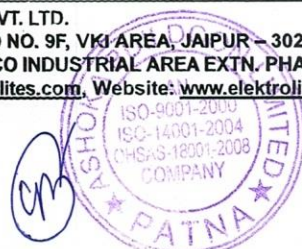
Chief Engineer, Project-I (Urban)

### SCHEDULE OF TECHNICAL REQUIREMENTS & GUARANTEED TECHNICAL PARTICULARS

No	Description	Client	Offered
1	Name of the Manufacturer		ELEKTROLITES (POWER)
2	Country of Origin		INDIA
3	Applicable voltage level (kV)	11 & 33 kV	Up to 66kV
4	Operating frequency (Hz)	50 Hz	50/60 HZ
5	Type		Outdoor
<b>Fault Indicator</b>			
6	Short – Circuit Withstand	25kA (rms)/170 ms	Yes
7	HV Neutral Arrangement	Solidly Grounded	IP 68
8	Diameter	Suitable for Conductor - Dog, Wolf, Panther, Goat and Zebra 22mm	Yes (5mm to 42mm)
<b>Fault Detection Parameters</b>			
9	Current Setting Trigger value	100A, 300A, 500A, 700A (Manual)	Yes (50A to 800 A)
10	Minimum impulse time	40 ms	Yes
11	Beacon Flash Indication Duration (User settable)	1 Min, 360 Min, 720 min, <del>1140</del> Min (Manual Setting) <b>1440</b>	Yes (2 Min to 48 Hrs)
12	Impulse transient Restraint	2 Sec	2 Sec
<b>Reset (Permanent Fault)</b>			
13	Auto Matic Power Return	3000 Volts	Supported
14	Timer Reset	1 Min, 360 Min, 720 min, <del>1140</del> Min (Manual Setting) <b>1440</b>	Yes (2 Min to 48 Hrs)
15	Manual Reset	Manual & Automatic Mode	Supported Magnet, Hand Device, USB- Tool & SCADA
<b>Fault Indication</b>			
16	Indication <b>Checked</b> <del>EEE(P-1) EEE(P-1) EEE(P-1)</del> Bright Red Flashlight (LEDs)		Yes
17	Light Power	40 Lumens	40 Lumens
18	Visibility Angle	360 Degree	360 Degree
19	Flash Period for Permanent Faults	1 Flash every 3 Sec	1 Flash every <sup>3</sup> 2 Sec
20	Flash Period for transient faults	2 Flash every 12 Sec	2 Flash every <sup>12</sup> 6 Sec } As per TS
21	Standard total flash Duration	1000 Hrs	1500 Hrs
<b>Power Supply</b>			
22	Battery	Lithium Battery (Replaceable)	<b>APPROVED</b> Yes, Lithium Battery Subject to the condition that you are not absolved to the responsibility of correctness of materials

ELEKTROLITES (POWER) PVT. LTD.  
 UNIT - I : S 758 (A&B) ROAD NO. 9F, VKI AREA, JAIPUR - 302 013  
 UNIT - II : E 148 TO 150, RIICO INDUSTRIAL AREA EXTN. PHASE II BAGRU, JAIPUR - 303 007  
 E - mail: [marketing@elektrolites.com](mailto:marketing@elektrolites.com), Website: [www.elektrolites.com](http://www.elektrolites.com)

Ph. No. +91 - 141 - 2330576  
 +91 - 141 - 2331624



CE (Project-1), Urban  
 NBPDCCL

# Elektrolites

Where Innovation Is Life.

23	Lifetime of the battery (years)	More Than 10 years	10 years
<b>Environment</b>			
24	Operation Temperature	(-20 deg.C to + 70 deg. C)	Yes
25	Storage Temperature	(-20 deg.C to + 70 deg. C)	Yes
26	Protection Level	IP67	Yes
<b>Mechanical</b>			
27	Wind Resistance	126 kg/sqm up to an elevation of 10 mtr	Yes

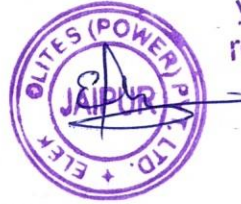
Signature and seal of the Manufacturer  
 I/We certify that the above data are true and correct

Date: 13-02-2023

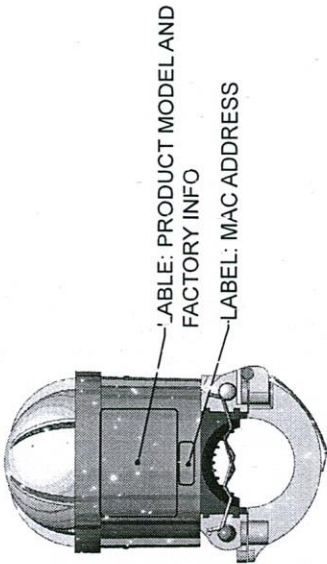
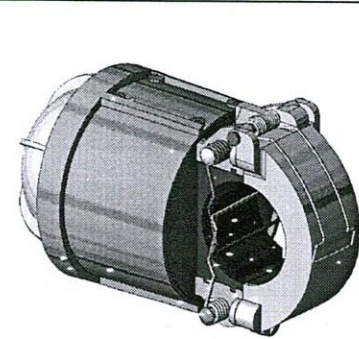
**APPROVED**  
 Subject to the condition that you are not absolved to the responsibility of correctness of materials

CE (Project-1), Urban  
 NBPDC

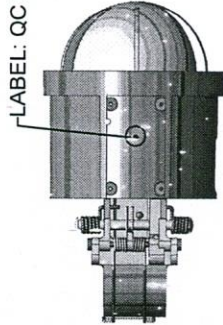
*Handwritten:* Checked  
 AEE(P-1) EEE(P-1) ESE(P-1)



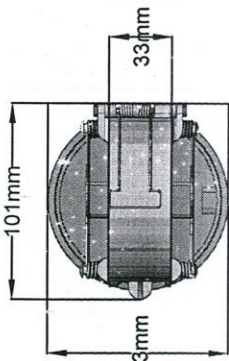
- ⇒ Indication LED should be visible from 360°.
- ⇒ FPI shall be powered by inductive pick up from the conductors with a minimum operating current of 20A.
- ⇒ Should be as per IS/IEC standard specified in TS.
- ⇒ FPI shall automatically change the priority and shall start flashing to indicate permanent fault over transient fault. In case permanent fault occurs along with transient fault.



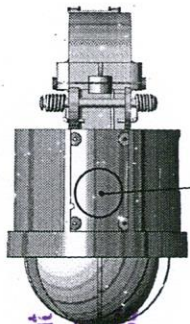
FRONT VIEW



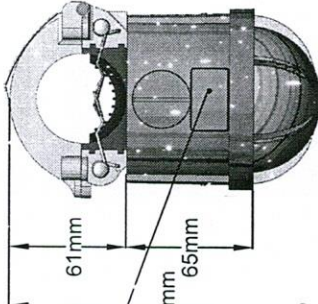
R.H.S



BOTTOM VIEW



L.H.S



REAR VIEW

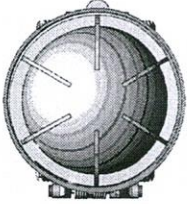
**APPROVED**  
 Subject to the condition that you are not absolved to the responsibility of correctness of materials

**CE (Project-1), Urban NBPDC**

**Checked**  
 AEE(P-1) EEE(P-1) ESE(P-1)

**NOTE:**  
 1. ALL DIMENSION IN MM.  
 2. TOLERANCE IS ±5MM.

TOP VIEW



EL-FPI-NC OVERHEAD LINE FAULT INDICATOR

**Elektrolites**

ELEKTROLITES (POWER) PVT. LTD.  
 E 148 to 150, RIICO Industrial Area Extn, Bagru,  
 Rajasthan 303007

DRAWN BY:- DEEPA NSHU	CHKD. BY:- VARUN	APPD. BY:- VARUN
SCALE:- N. T. S.	DRG. NO.:- EPPL-FPI-001	DATE:- 21.06.2022

CONSULTANT:-

CONTRACTOR:-

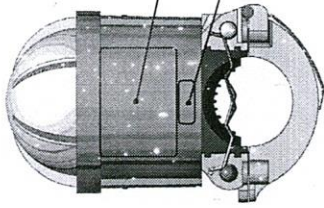
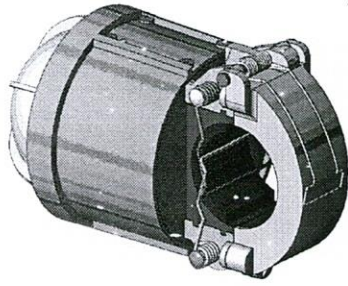
CLIENT NORTH BIHAR POWER DISTRIBUTION CO. LTD (NBPDC)	PROJECT "Revamped Reforms-based and Results-linked, Distribution Sector Scheme" under Circle Muzaffarpur.
LOI NO. Supply Contract - NOA No.250 dated 06.03.2023. Erection Contract - NOA No.251 dated 06.03.2023	Contractor Ashoka Buildcon Ltd, Nashik, (Maharashtra)



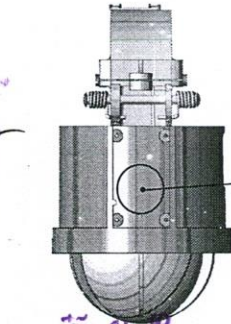
THIS DRAWING IS PROPERTY OF M/ELEKTROLITES (POWER) PVT. LTD. AND MUST NOT BE COPIED OR REPRODUCED IN ANY FORM WITHOUT WRITTEN PERMISSION OF M/ ELEKTROLITES (POWER) PVT. LTD.

**NOTE:**

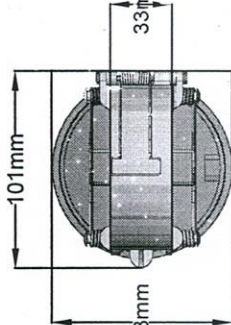
1. ALL DIMENSION IN MM.
2. TOLERANCE IS ±5MM.



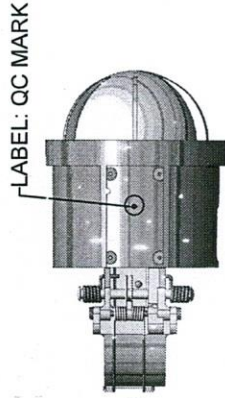
FRONT VIEW



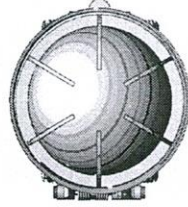
L.H.S



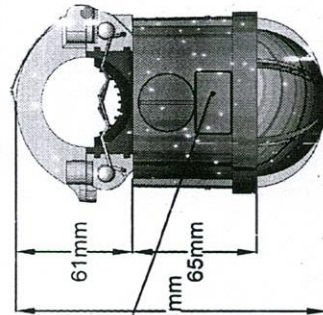
BOTTOM VIEW



R.H.S



TOP VIEW



REAR VIEW

LABEL: GROUP ADDRESS AND FREQUENCY

EL-FPL-NC OVERHEAD LINE FAULT INDICATOR

**Elektrolites**

ELEKTROLITES (POWER) PVT. LTD.  
E 148 to 150, RIICO Industrial Area Extn, Bagru,  
Rajasthan 303007

DRAWN BY:- DEEPANSHU	CHKD. BY:- VARUN	APPD. BY:- VARUN
SCALE:- N. T. S.	DRG. NO.:- EPPL-FPL-001	DATE:- 21.06.2022

CLIENT SOUTH BIHAR POWER DISTRIBUTION CO.LTD (SBPDCL)  
PROJECT "Revamped Reforms-based and Results-linked, Distribution Sector Scheme" under Circle PESU ( E ) & Circle PESU ( W )  
LOI NO. Supply Contract - NOA No.06 dated 03.03.2023  
Erection Contract - NOA No.07 dated 03.03.2023  
Contractor Ashoka Buildcon Ltg., Nashik, (Maharashtra)

CONSULTANT:-  
AN ISO 9001:2008  
ISO 14001:2004  
COMPANY



**APPROVED**

Subject to the condition that you are not absolved to the responsibility of correctness of materials

**CE (Project-1), Urban  
NBPDC**

THIS DRAWING IS PROPERTY OF M/ELEKTROLITES (POWER) PVT. LTD. AND MUST NOT BE COPIED OR REPRODUCED IN ANY FORM WITHOUT WRITTEN PERMISSION OF M/ELEKTROLITES (POWER) PVT. LTD.